

---

## Versa-Tap Quick-Start Guide

### Device Driver Installation

Please visit <http://www.stratusengineering.com/Downloads.html> to download the latest copy of this file and the Versa-Tap device drivers and installation guide for your operating system. Note that EZ-Tap, EZ-Tap Pro and Versa-Tap all use the same device driver. The typical user will unzip the driver files into a directory on his/her hard drive and use the Windows hardware installation wizard to complete the installation. If this does not work for you, refer to the instructions in the appropriate driver installation guide for help. Once the driver has been correctly installed, Versa-Tap will be shown as a USB COM port under Windows Device Manager.

### Versa-Tap Firmware update

Once the Versa-Tap device drivers have been successfully installed, please update the Versa-Tap embedded firmware, which is also available at <http://www.stratusengineering.com/Downloads.html>. To do this, simply download the latest firmware installation program to a folder of your choice and then unzip and run the firmware installation executable file. Note that Versa-Tap and EZ-Tap Pro use the same embedded firmware.

### EZ-View RS232 Monitor Application

Stratus Engineering's EZ-View RS232 Monitor program Version 1.4.1.0 or higher is required when using the Versa-Tap hardware module. EZ-View now works with EZ-Tap, EZ-Tap Pro, and Versa-Tap and offers the same user interface for all devices. The only difference between the two devices from the EZ-View user standpoint is that EZ-View provides exact microsecond time-tagging for all data and handshaking events when used with EZ-Tap Pro or Versa-Tap. You can download the latest version of EZ-View at <http://www.stratusengineering.com/Downloads.html>.

### *Developing Custom software with the EZ-Tap/EZ-Tap Pro/Versa-Tap Windows API*

For users requiring more sophisticated data extraction and analysis Stratus Engineering provides the EZ-Tap/EZ-Tap Pro/Versa-Tap API, a Windows-DLL that allows the user to develop custom software that interfaces directly with Versa-Tap. The API interfaces directly to Versa-Tap hardware for low latency access and provides exact microsecond timing for all data and handshaking events. Versa-Tap requires Driver DLL version 1.6 or higher.

### *Connecting Versa-Tap to the System under Test*

Once the Versa-Tap and EZ-View are operating correctly on the MS Windows PC host system, the user must create a custom connection to the system under test. The Versa-Tap screw-terminals are labeled with their RS232 and RS422 signal names as shown in the figure 1 below. Note that you must select between RS232/TTL, RS422, and Inverted RS232/TTL signaling level under the EZ-View Settings/Communications menu.

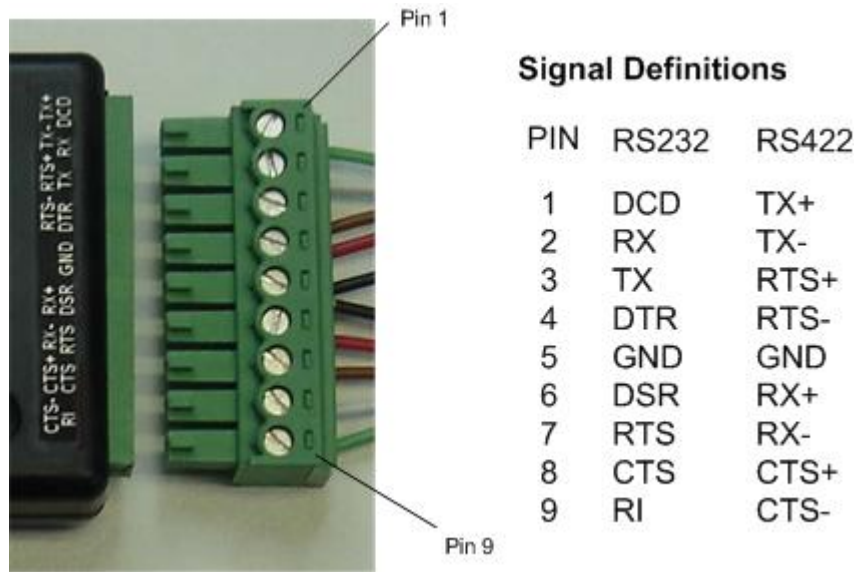


Figure 1 - Versa-Tap Signal Definitions